

HLC 槓桿油壓缸 MF 油路板附調速

Manifold with flow control

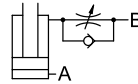
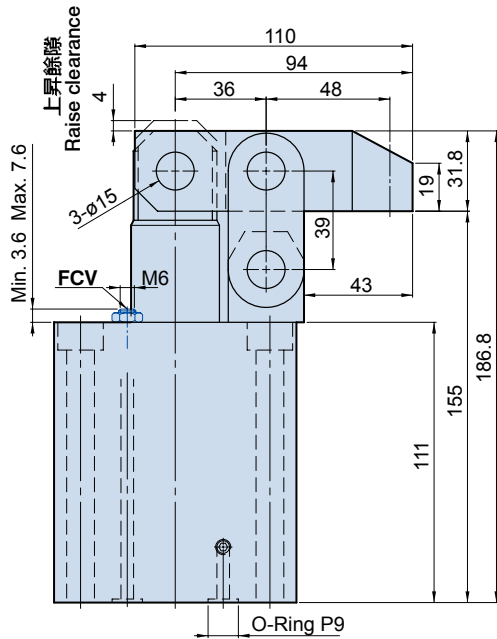
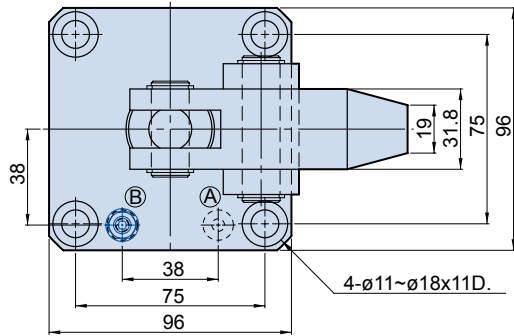


Hydraulic lever-type Cylinder MF

• Bore: $\phi 63\text{mm}$

• Pmax: 70kg/cm^2

HLC-MF63



Ⓐ	夾持油孔 Clamping Port
Ⓑ	放鬆油孔 Unclamping Port

